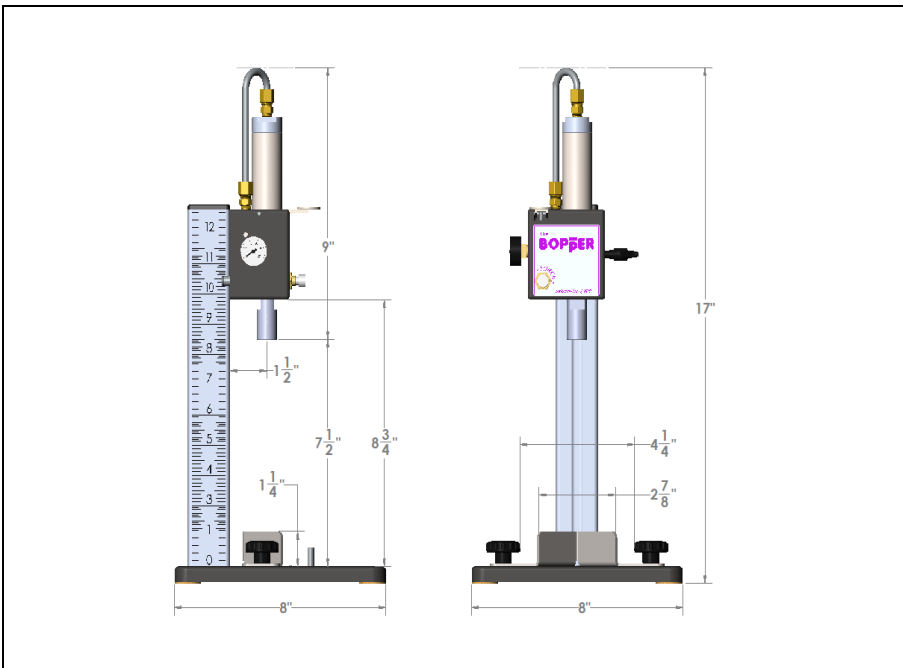


Specification Sheet
C800
“The Bopper”

by Swan-Matic

Cycles per minute	60
Down Force	53 lbs @ 60psi
Stroke	2 inches
Weight	7.25 lbs
Shipping weight	10 lbs
Finish	Hard anodize black
Air Supply	Clean dry 60psi max
CFM	<1 @ 60psi
Max bottle height	7 inches

Custom heights available



The C800 is a semi-automatic pneumatic press that eliminates the difficult task of inserting droppers, reducers and pour spouts into dispensing vials and bottles.

Optional Equipment

- C820 Manual 5 Position Rotary Table
- Air Assist Rotary Table
- C830 Custom Driver head
- Dual Driver Head
- Foot Pedal for Hands Free Operations
- Pressure Switch V Block
- C819L Low Profile V Block
- Dual Bottle V Block
- Single Bottle Holder w/ Hand Slide Block
- Single Bottle Holder w/ Air Assist Slide Block
- Food Grade Nickel Plating
- Hazardous Location Compliant
- Column Extension for Bottles Taller than 7 inches
- Oversize Valve Body Housing for Large Bottles



7050 West Ridge Rd Fairview, PA 16415 814-474-5561 www.swanmatic.com sparker@autodev.com

Contact

7050 West Ridge Rd
 Fairview, PA 16415
 814-474-5561
 sparker@swanmatic.com